

Specification Sheet

502.052.110 REMOVABLE WATER TRAP

- Water seal height = 52mm
- Stainless steel: AISI304/EN1.4301

Product Codes

EAN: 5705499105582
VVS Number: 153415526
RSK Number: 7119277
NRF Number: 3394756
LVI Number: 3304013

Specification

Field of Application: Domestic|Industrial
Material: AISI 304
Material (EN): EN 1.4301
Max Flow (l/s): 1.3
Minimum Height (mm): 93
Outlet dia. (Inch): 4
Outlet Diameter (mm): 108
Water Seal Height (mm): 52
Weight (kg): 0,33
Weight (lbs): 0,73

Approvals

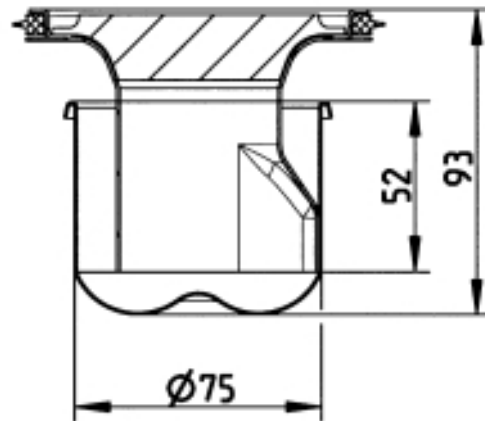


AUS - HACCP Region 1



EU - HACCP Region 4

DNV - TAP0000023-rev3
PL - Hygienic Certificate - All Products
UR - 1055745



BLÜCHER®